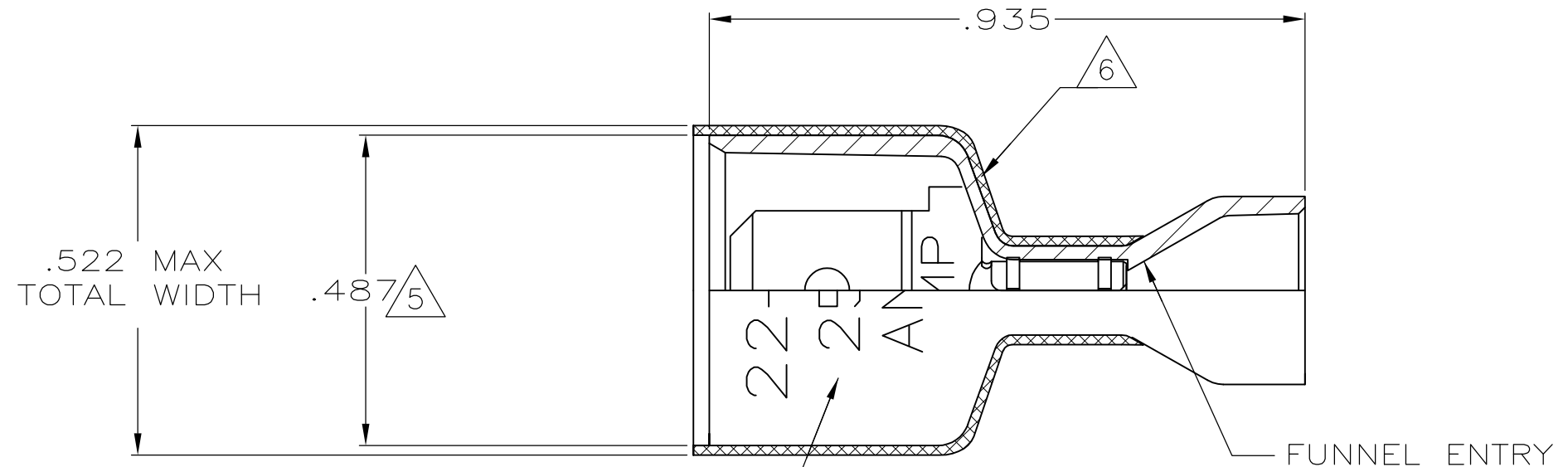


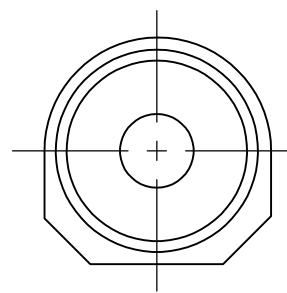
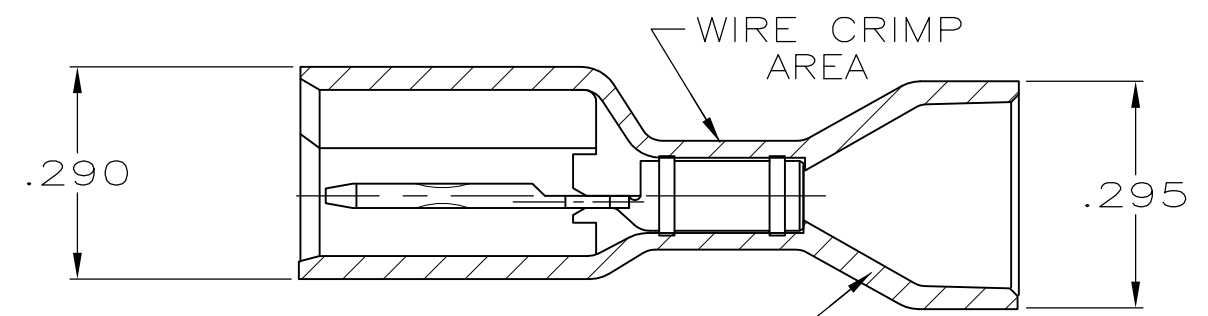
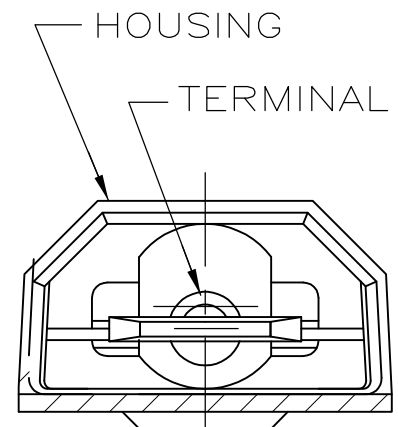
THIS DRAWING IS UNPUBLISHED. RELEASED FOR PUBLICATION
 © COPYRIGHT - By - ALL RIGHTS RESERVED.

| LOC | DIST | REVISIONS | | | |
|-----|------|-------------|---------------------------|---------|-------|
| P | LTR | DESCRIPTION | DATE | DWN | APVD |
| AF | 50 | C | REVISED PER ECR-13-004343 | 30JUL13 | KH KR |



- 1 TAB DIMENSIONS $.032 \pm .001 \times .250$
- 2 WIRE STRIP LENGTH $.281$
- 3 INSULATION SIZE $.230$ MAX DIA
- 4 SUPPLIED IN LOOSE PIECE.
- △5 DIMENSION DOES NOT INCLUDE TRIM BURR
- △6 $.015$ MAX CARRIER TRIM BURR PER SIDE IS ALLOWABLE IN THE SHADED AREA

WIRE AND TAB SIZE IDENTIFICATION } 22-18
 250 AMP



| | |
|--|-------------|
| HOUSING: NYLON, COLOR-RED TRANSLUCENT TAB: BRASS, TIN | 2-521192-2 |
| MATERIAL & FINISH | PART NUMBER |

| | | | | | | | | | | | | | | | | |
|---|--------|------------------|----------|--------------|----------------------------|-----|-------|-----|-------|--------|-------|-----|--------|-----|------|--|
| THIS DRAWING IS A CONTROLLED DOCUMENT. | | DWN | JR RUTH | 9FEB99 | STE TE Connectivity | | | | | | | | | | | |
| DIMENSIONS: INCHES | | CHK | MS FEHER | 9FEB99 | | | | | | | | | | | | |
| TOLERANCES UNLESS OTHERWISE SPECIFIED: | | APVD | J HUMMEL | 9FEB99 | | | | | | | | | | | | |
| <table border="0"> <tr><td>0 PLC</td><td>± -</td></tr> <tr><td>1 PLC</td><td>± -</td></tr> <tr><td>2 PLC</td><td>± -</td></tr> <tr><td>3 PLC</td><td>± .015</td></tr> <tr><td>4 PLC</td><td>± -</td></tr> <tr><td>ANGLES</td><td>± -</td></tr> </table> | | 0 PLC | ± - | 1 PLC | | ± - | 2 PLC | ± - | 3 PLC | ± .015 | 4 PLC | ± - | ANGLES | ± - | NAME | |
| 0 PLC | ± - | | | | | | | | | | | | | | | |
| 1 PLC | ± - | | | | | | | | | | | | | | | |
| 2 PLC | ± - | | | | | | | | | | | | | | | |
| 3 PLC | ± .015 | | | | | | | | | | | | | | | |
| 4 PLC | ± - | | | | | | | | | | | | | | | |
| ANGLES | ± - | | | | | | | | | | | | | | | |
| MATERIAL SEE TABLE | | FINISH SEE TABLE | | PRODUCT SPEC | 108-2017 | | | | | | | | | | | |
| | | APPLICATION SPEC | | 114-2123 | SIZE | | | | | | | | | | | |
| | | WEIGHT | | - | CAGE CODE | | | | | | | | | | | |
| | | CUSTOMER DRAWING | | SCALE | 4:1 | | | | | | | | | | | |
| | | | | SHEET | 1 OF 1 | | | | | | | | | | | |
| | | | | REV | C | | | | | | | | | | | |